

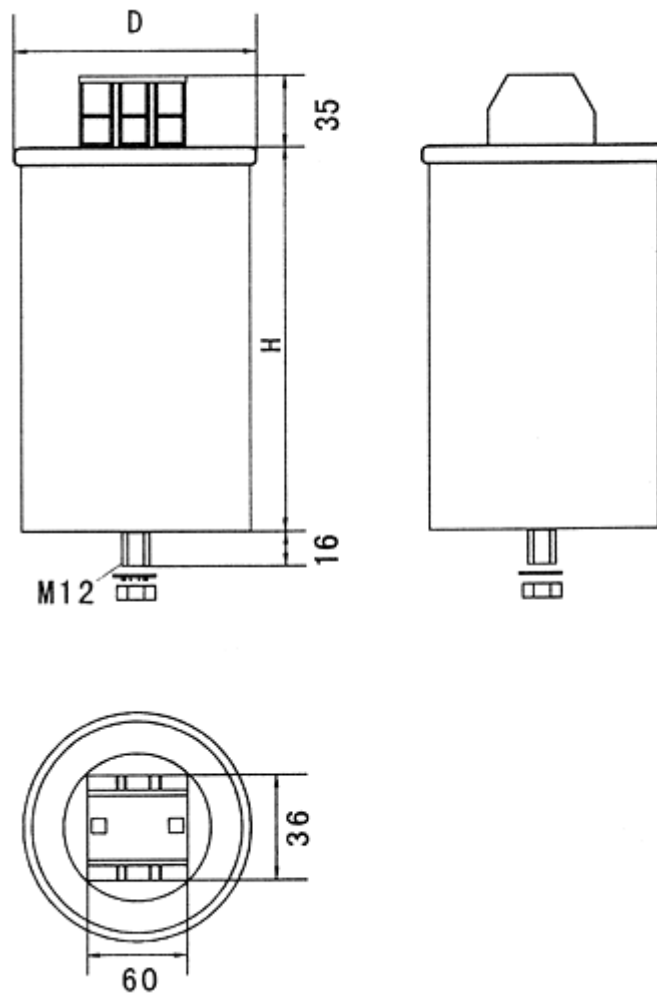


Features

MKP LV Power Capacitor Cylinder Type M12 Stud

1. bolt terminal, ensure the reliable wire connection, meet large capacity and current requirements;
2. safe and reliable US type over stress explosion protection structure, built-in discharging resistor, all these ensure the product safe and reliable;
3. long life, multi component design, increasing the radiation space, lower the rising temperature, the average life reach 100,000 hours;
4. the component is designed with metalization film, which makes the capacitor with high self recovery performance, meet the requirement of high reliable contact and high stress resistance;
5. safe and effective protection measure;
6. easy and reliable installation, improve work efficiency;
7. high quality cylinder shaped aluminium shell, beautiful, small volume;
8. meet IEC831-1, IEC831-2 & GB/T12747-2004

Capacitor Drawing



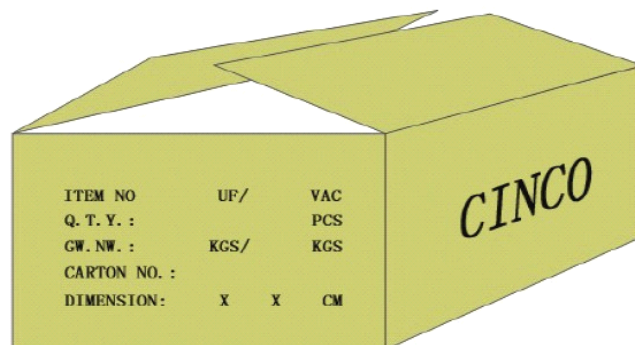
Specification

Conform to IEC831-1,IEC831-2,GB/T12747-2004

rated voltage	1000V Below,50/60Hz
rated capacity	1KV~30KV
over voltage	Un+10% (8h/24h) / Un+30% (one minutes)
over current	1.3×In
flowing current	200 times rated current
wastage (medium)	<0.2W/kVar
difference	-5 / +10%
stress between pole	2.15Un, AC, 10S
stress between pole and shell	3000V, AC, 10S
life	100,000 hour
temperature	-25/ D (max+55℃)
cooling	natural cooling (or forced wind cooling)
allowed max humidity	95%
height above sea level	below 3000m
installation	vertical
ground	M12 bolt under the shell
safety	dry type technology, over stress protection device, self recovery technology, over current protector
discharging component	built-in discharging resistor
shell	high quality aluminium shell
pollution protection grade	IP20, indoor installation
medium materials	polypropylene film
filling materials	NON-PCB
terminals	M6/M8 copper bolt, max cable 25mm2, electric shock protection shield

Packing and Mark

POWER CAPACITOR	
Quality Standards: IEC60831-1996 	
SH-TYPE POWER CAPACITOR(NO PCB)	
Type	BSMJ0.44-25-3
Rated Voltage	440V/50Hz
Rated Output	25kvar(411 μF)
Rated Current	32.8A
Product No.	
Discharging resistance and insurance device are included 	



Dimensions

Model	Rated Volume (kVar)	Rated Voltage (Vac)	Rated Current (A)	Rated Capacity (μF)	Terminal	Size (mm)	Model
MKPS0.25-1-1	1	230	4.0	50	M6	Φ70×120	Bottom M12×16 installation bolt
MKPS 0.25-2-1	2	230	8.0	100	M6	Φ70×120	
MKPS 0.25-3-1	3	230	12.0	150	M6	Φ70×120	
MKPS 0.25-4-1	4	230	16.0	200	M6	Φ70×160	
MKPS 0.25-5-1	5	230	20.0	250	M6	Φ70×200	
MKPS 0.25-6-1	6	230	24.0	300	M6	Φ70×200	
MKPS 0.25-6.7-1	6.7	230	26.4	330	M6	Φ70×200	
MKPS 0.25-8-1	8	230	32.0	400	M6	Φ75×240	
MKPS 0.25-10-1	10	230	40.0	500	M8	Φ120×180	bottom M16×25 installation bolt
MKPS 0.25-12-1	12	230	48.0	600	M8	Φ120×240	
MKPS 0.25-15-1	15	230	60.0	750	M8	Φ120×240	
MKPS 0.25-20-1	20	230	80.0	1000	M8	Φ120×240	

Model	Rated Colume (kVar)	Rated Voltage (Vac)	Rated Capacity (μF)	Rated Current (A)	Size	Installation size
MKPS0.4-3-3	3	400	3×20	3×4.3	90×180	M12×16
MKPS0.4-5-3	5	400	3×33	3×7.2	90×180	
MKPS0.4-6-3	6	400	3×40	3×8.6	90×180	
MKPS0.4-7.5-3	7.5	400	3×50	3×10.8	90×240	
MKPS0.4-10-3	10	400	3×66	3×14.4	90×240	
MKPS0.4-12.5-3	12.5	400	3×83	3×18	90×240	
MKPS0.4-15-3	15	400	3×100	3×21.7	90×240	
MKPS0.4-20-3	20	400	3×133	3×29	120×240	M16×25
MKPS0.4-22.5-3	22.5	400	3×149	3×32.5	120×240	
MKPS0.4-25-3	25	400	3×166	3×36	120×240	
MKPS0.4-30-3	30	400	3×199	3×43.3	120×290	

MKP Power Capacitors

Model : MKPS Capacitor

Model	Rated Colume (kVar)	Rated Voltage (Vac)	Rated Capacity (μF)	Rated Current (A)	Size	Installation size
MKPS0.44-3-3	3	440	3×16	3×3.9	90×180	M12×16
MKPS0.44-5-3	5	440	3×27	3×6.6	90×180	
MKPS0.44-6-3	6	440	3×33	3×7.8	90×180	
MKPS0.44-7.5-3	7.5	440	3×41	3×9.8	90×240	
MKPS0.44-10-3	10	440	3×54.8	3×13	90×240	
MKPS0.44-12.5-3	12.5	440	3×69	3×16.4	90×240	
MKPS0.44-15-3	15	440	3×82	3×19.7	90×240	M16×25
MKPS0.44-20-3	20	440	3×110	3×26.2	120×240	
MKPS0.44-22.5-3	22.5	440	3×123	3×30	120×240	
MKPS0.44-25-3	25	440	3×137	3×33	120×290	
MKPS0.44-30-3	30	440	3×164	3×39.4	120×290	

Model	Rated Colume (kVar)	Rated Voltage (Vac)	Rated Capacity (μF)	Rated Current (A)	Size	Installation size
MKPS0.525-3-3	3	525	3×11	3×3.3	90×180	M12×16
MKPS0.525-5-3	5	525	3×19	3×5.5	90×180	
MKPS0.525-6-3	6	525	3×23	3×6.6	90×180	
MKPS0.525-7.5-3	7.5	525	3×28.8	3×8.2	90×240	
MKPS0.525-10-3	10	525	3×38.5	3×11	90×240	
MKPS0.525-12.5-3	12.5	525	3×48.1	3×13.7	90×240	
MKPS0.525-15-3	15	525	3×57.7	3×16.5	90×240	M16×25
MKPS0.525-20-3	20	525	3×77	3×22	120×240	
MKPS0.525-22.5-3	22.5	525	3×86.6	3×24.7	120×240	
MKPS0.525-25-3	25	525	3×96.2	3×27.5	120×240	
MKPS0.525-30-3	30	525	3×115.5	3×33	120×290	

Model	Rated Colume (kVar)	Rated Voltage (Vac)	Rated Capacity (μF)	Rated Current (A)	Size	Installation size
MKPS0.69-3-3	3	690	20	3×2.5	90×180	M12×16
MKPS0.69-5-3	5	690	33	3×4	90×180	
MKPS0.69-6-3	6	690	40	3×5	90×180	
MKPS0.69-7.5-3	7.5	690	50	3×6.2	90×240	
MKPS0.69-10-3	10	690	66	3×8.3	90×240	
MKPS0.69-12.5-3	12.5	690	84	3×10.5	90×240	
MKPS0.69-15-3	15	690	100	3×12.6	90×240	M16×25
MKPS0.69-20-3	20	690	134	3×16.7	120×240	
MKPS0.69-22.5-3	22.5	690	150	3×18.8	120×240	
MKPS0.69-25-3	25	690	167	3×21	120×240	
MKPS0.69-30-3	30	690	199	3×25.1	120×290	