

# CD60 Motor Start Capacitor

Model : CD60B

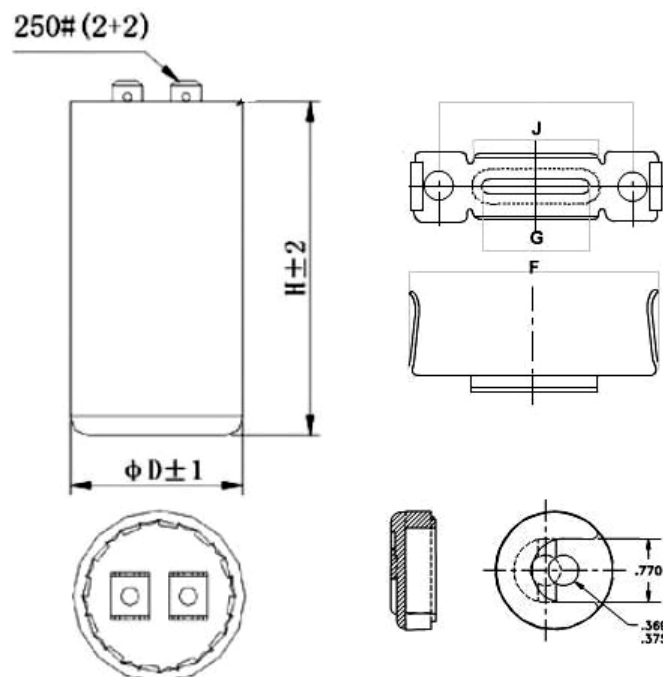


## Features

CD60 Motor Start Capacitor, Bipolar cable 110V 220V 330V

It applies to A.C. single phase motor, with frequency 50/60Hz, rated voltage 110-330VAC. It can help motors gain high torque with low starting current and make motor start normally. It can also start refrigerators and compressors of air condition, etc.

## Capacitor Drawing



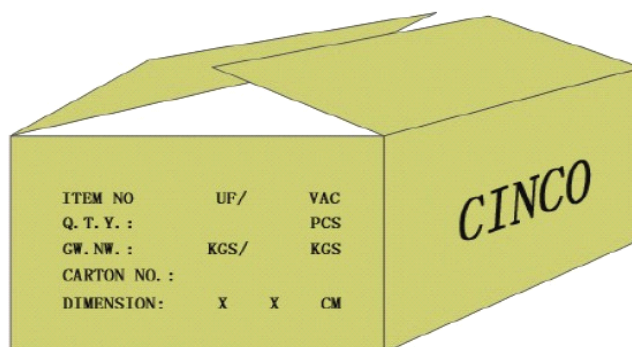
## Specification

Working Temperature Range	-40--+65°C
Rated Voltage Range	110V,150V,165V,220V,250V,275V,300V,330VAC
Rated Capacitance Range	21-1536MFD
Dissipation Factor	Tan $\leq$ 0.01 (50 Hz)
Rated Tolerance of capacitance	0-+20%
Without Voltage Between Terminal	Apply 1.25 times working voltage, for 2 Seconds,with out break down or explosion
Withstand Voltage Between Terminal and case	2000Vac ,for 10 seconds,without break down or explosion

## Packing and Mark

**CINCO**  
Motor Start Capacitor  
88-108 $\mu$ F 0- +10%  
220 / 250 V.AC  
50/60Hz 25/55/21

     
EN 60252-1



## Dimensions

Capacitance	110Vac, 115Vac	220Vac, 250Vac	300Vac, 330Vac
21-25uF	36×70	36×70	36×85
25-30uF	36×70	36×70	36×85
30-36uF	36×70	36×70	36×85
36-43uF	36×70	36×85	36×85
43-52uF	36×70	36×85	36×85
47-56uF	36×70	36×85	36×85
53-64uF	36×70	36×85	46×85
64-77uF	36×70	36×85	46×85
72-86uF	36×70	36×85	46×85
88-108uF	36×70	46×85	46×111
108-130uF	36×70	46×85	46×111
124-149uF	36×70	46×85	46×111
130-156uF	36×70	46×85	46×111
145-174uF	36×70	46×111	52×111
161-193uF	36×70	46×111	52×111
189-227uF	36×85	46×111	52×111
216-259uF	36×85	46×111	52×111
223-280uF	36×85	46×111	52×111
243-292uF	36×85	46×111	52×111
270-324uF	36×85	52×111	52×111
324-389uF	36×85	52×111	
340-408uF	46×85	52×111	
378-454uF	46×85	52×111	
400-480uF	46×85	52×111	
430-515uF	46×85	52×111	
460-552uF	46×85	52×111	
540-648uF	46×111		
890-708uF	46×111		
645-774uF	46×111		
708-850uF	46×111		
720-850uF	46×111		
720-865uF	46×111		
800-960uF	46×111		
815-978uF	46×111		
829-995uF	46×111		
1000-1200uF	52×111		
1200-1400uF	52×111		

**Note:**

Special specs are available on request.