

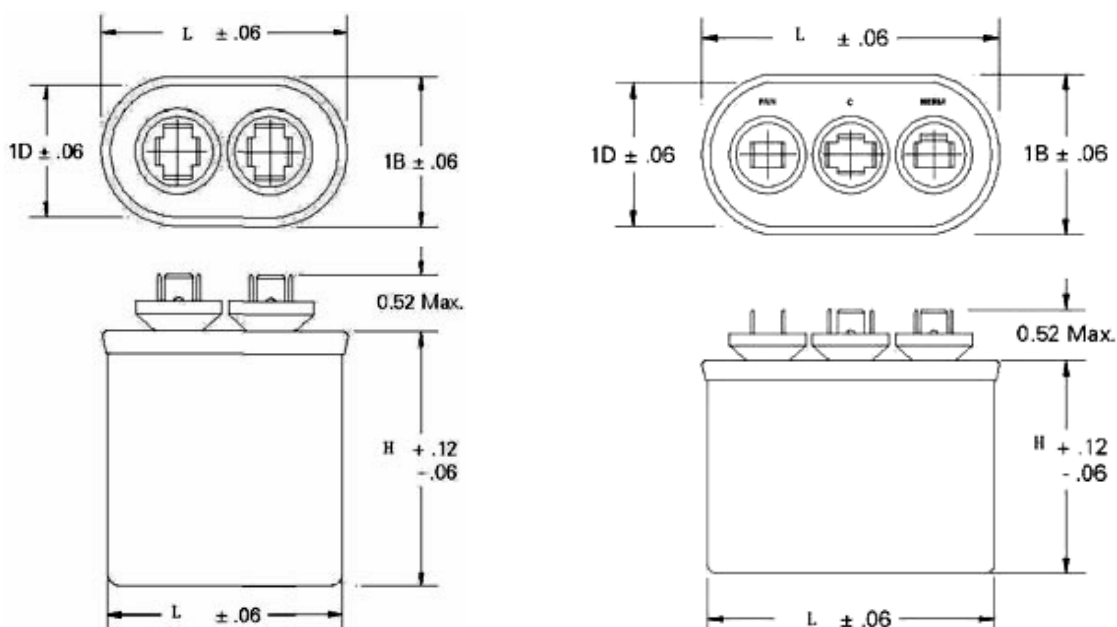


Features

CBB65B Motor Run Capacitor, Oval Aluminum Can,370V 440V

- 1) Very small dissipation factor,small inheterent temperature rise
- 2) High insulation resistance
- 3) Good capacitance stability
- 4) Excellent self-healigh property
- 5) Safety and hight reliability due to flame reatardant plastic or metal case enclosure,flame retardant epoxy resin endfill.
- 6) It is applicable for the starting and running of AC single-way motor with 50~60Hz frequency.
- 7) Special requirment can be made at the request of customers.
- 8) Class P2 Explosion-proof

Capacitor Drawing



Specification

Working Temperature Range	climate types: 40/70/21
Rated Voltage Range	250Vac,300Vac,370Vac,440Vac
Rated Capacitance Range	3-100uF
Dissipation Factor	Tan ≤0.002 (50Hz)
Rated Tolerance of capacitance	±5%, ±10%
Testing Voltage	between leading-out ends: 1.75UR 10S no break down
Insulation resistance	between leading-out ends: ≥3000MΩ uF

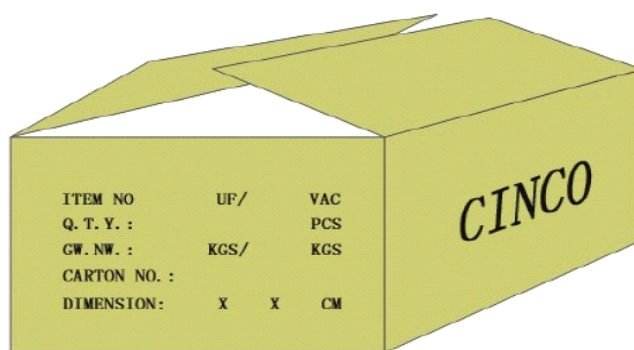
Packing and Mark

CINCO

50μF CBB65 CAPACITOR
 ±5% 450V-50/60Hz
 C22.2 No.190
 LR 79596 70°C

SA NON PCB 10000AFC
 PROTECTED
 DAL-4E1025

UL 25/85/21. P2.Class B
 Polybutene+MCWax
 EN 60252-1



Dimensions

uF	370 VAC - 400 VAC			440 VAC - 450 VAC		
	L(mm)	B(mm)	H(mm)	L(mm)	B(mm)	H(mm)
2uF	50	32	60	50	32	60
3uF	50	32	60	50	32	60
5uF	50	32	60	50	32	60
7.5uF	50	32	60	50	32	60
10uF	50	32	60	50	32	60
12.5uF	50	32	60	71	45	80
15uF	50	32	60	71	45	80
17.5uF	71	45	80	71	45	80
20uF	71	45	80	71	45	80
22.5uF	71	45	80	71	45	90
25uF	71	45	80	71	45	90
27.5uF	71	45	80	71	45	90
30uF	71	45	90	71	45	90
32.5uF	71	45	90	71	45	90
35uF	71	45	90	71	45	90
37.5uF	71	45	90	71	45	110
40uF	71	45	90	71	45	110
45uF	71	45	90	71	45	110
50uF	71	45	90	71	45	110
55uF	71	45	110	71	45	110
60uF	71	45	110	71	45	130
65uF	71	45	110	71	45	130
70uF	71	45	130	71	45	130
80uF	71	45	130	71	45	130
100uF	71	45	130	71	45	130

Note:

Special specs are available on request.