

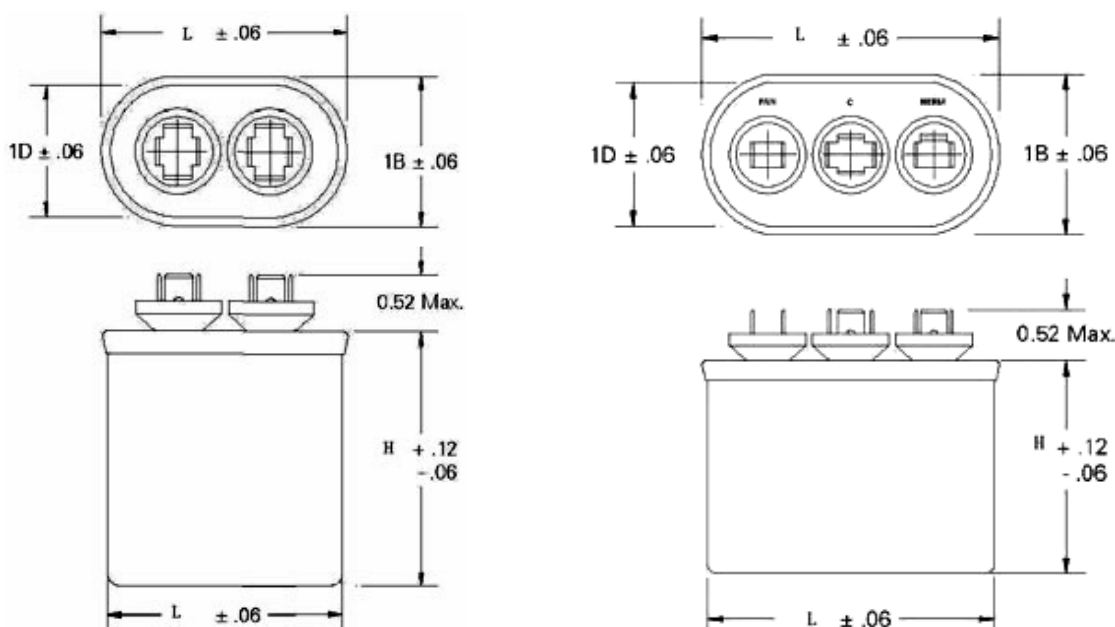


## Features

### CBB65B-1 Motor Run Capacitor, Oval Aluminum Can,370V 440V

- 1) Very small dissipation factor,small inheterent temperature rise
- 2) High insulation resistance
- 3) Good capacitance stability
- 4) Excellent self-healigh property
- 5) Safety and hight reliability due to flame reatardant plastic or metal case enclosure,flame retardant epoxy resin endfill.
- 6) It is applicable for the starting and running of AC single-way motor with 50~60Hz frequency.
- 7) Special requirment can be made at the request of customers.
- 8) Class P2 Explosion-proof

## Capacitor Drawing



## Specification

Working Temperature Range	climate types: 40/70/21
Rated Voltage Range	250Vac,300Vac,370Vac,440Vac
Rated Capacitance Range	3-100uF
Dissipation Factor	Tan ≤0.002 (50Hz)
Rated Tolerance of capacitance	±5%, ±10%
Testing Voltage	between leading-out ends: 1.75UR 10S no break down
Insulation resistance	between leading-out ends: ≥3000MΩ uF

## Packing and Mark

**CINCO**

**50μF**      CBB65 CAPACITOR  
 ±5% 450V-50/60Hz  
 C22.2 No.190  
 LR 79596 70°C

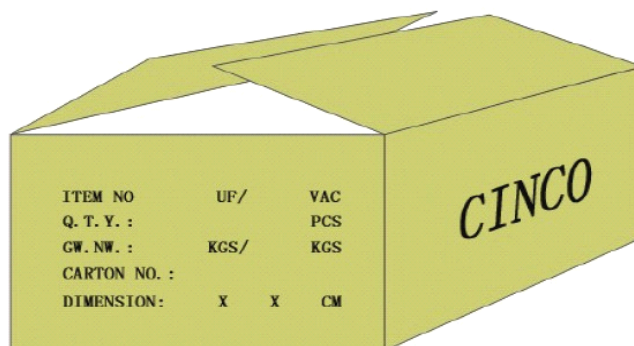
---

NON PCB 10000AFC  
 PROTECTED  
 DAL-4E1025

---

25/85/21. P2.Class B  
 Polybutene+MCWax

EN 60252-1



## Dimensions

Capacitance	370 VAC - 400 VAC			440 VAC - 450 VAC		
	L(mm)	B(mm)	H(mm)	L(mm)	B(mm)	H(mm)
15+1.5uF	71	45	80	71	45	80
15+3uF	71	45	80	71	45	80
15+5uF	71	45	80	71	45	80
20+1.5uF	71	45	80	71	45	80
20+3uF	71	45	80	71	45	80
20+5uF	71	45	80	71	45	80
25+1.5uF	71	45	80	71	45	90
25+3uF	71	45	80	71	45	90
25+5uF	71	45	90	71	45	90
30+1.5uF	71	45	90	71	45	90
30+3uF	71	45	90	71	45	90
30+5uF	71	45	90	71	45	90
35+1.5uF	71	45	90	71	45	90
35+3uF	71	45	90	71	45	90
35+5uF	71	45	90	71	45	110
40+1.5uF	71	45	90	71	45	110
40+3uF	71	45	90	71	45	110
40+5uF	71	45	90	71	45	110
45+1.5uF	71	45	110	71	45	110
45+3uF	71	45	110	71	45	110
45+5uF	71	45	110	71	45	110
50+1.5uF	71	45	110	71	45	110
50+3uF	71	45	110	71	45	110
50+5uF	71	45	110	71	45	110
50+7.5uF	71	45	110	71	45	110
55+1.5uF	71	45	110	71	45	110
55+3uF	71	45	110	71	45	130
55+5uF	71	45	110	71	45	130
55+7.5uF	71	45	130	71	45	130
60+1.5uF	71	45	130	71	45	130
60+3uF	71	45	130	71	45	130
60+5uF	71	45	130	71	45	130
60+7.5uF	71	45	130	71	45	130
65+1.5uF	71	45	130	71	45	130
65+3uF	71	45	130	71	45	130
65+5uF	71	45	130	71	45	130
65+7.5uF	71	45	130	71	45	130
80+5uF	71	45	130	71	45	130
80+7.5uF	71	45	130	71	45	130

Note:Special specs are available on request.